

INSTRUCTIONS INSTALLATION OF TOP SECTION BACK-CHANNEL COOLING KIT FOR FRAMES D3, D4 & E2

This instruction sheet is for the installation of the top section only of the back-channel cooling kits available for the VLT[®] series drives. In addition to the enclosure a 200 mm vented pedestal is required.

The minimum enclosure depth is 500 mm (600 mm for E2 frame) and the minimum enclosure width is 600 mm (800 mm for E2 frame). The maximum depth and width are as required by the installation. When using multiple drives in one enclosure mount each drive on its own back panel and support along the mid-section of the panel. The back-channel cooling kits are very similar in construction for all frames. The D3 and D4 kits do not support “in frame” mounting of the drives. The E2 kit is mounted “in frame” for additional support of the drive. These kits can be used with IP00/Chassis drives as listed in Table 1.

Using these kits as described removes 85% of the losses via the back channel using the drive’s main heat sink fan. The remaining 15% must be removed via the door of the enclosure. (Refer to Note 2 for air flow requirements.)

Table 1. Applicable Drives and Frames

VLT Drive	Frame
HVAC	D3, D4, E2
Aqua	D3, D4, E2
Automation	D3, D4, E2

Table 2. Kit Part Numbers

VLT Frame	Kit Part Number
D3 and D4	176F1775
E2	176F1776

Notes:

1. The photos in this instruction are based on a D4 Frame installation. D3 and E2 frames use parts similar to those in the photos however they are sized appropriately for those frames.
2. A doorfan(s) is required on the enclosure to remove the heat losses not contained in the backchannel of the drive. The minimum airflow required (at the maximum rated ambient temperature) for the D3 and D4 frame drives is 391 m³/h (230 cfm). The minimum airflow required (at the maximum rated ambient temperature) for the E2 frame drive is 782 m³/h (460 cfm). If additional heat losses are added within the enclosure a calculation must be made to ensure the proper airflow is provided to cool the inside of the enclosure.
3. The end user is responsible for ensuring the enclosure rating of the system after the top-only duct kit is installed.

Kit Contents

- Ductwork components
- Mounting hardware
- Gasket material
- 175R5631 View of Ductwork components, D3 and D4 frames
- 175R1037 View of Ductwork components, E2 frame
- 175R5639 Template for drive location in D-frames

Required Tools

- Metric Socket Set, 7-19mm
- Socket Extensions
- Torx Driver Set T10-T40
- Torque Wrench 6-50 in-lbs (.7-6 N-M)

Torque Requirements

1. 10 mm, M5 Nuts torque to 20 in-lbs (2.3 N-M)
2. T25 Torx screws torque to 20 in-lbs (2.3 N-M)

Install gasket material on the back openings of the drive (Photo 1) prior to installation on the enclosure back panel.

D3 and D4 frames: Use the template provided with the kit (175R5639) to determine the drive location on the back panel of the enclosure. The template is referenced to the top-left corner of the back panel. Therefore the template may be used with any size back panel and both the 1800 mm and 2000 mm high enclosures.

E2 frame: Use the measurements on Drawing 175R1037, Sheet 2 to determine the drive location.



Photo 1. Drive openings on rear are not used in this application.

Prior to installing the back panel in the enclosure, apply the gasket on both sides of the bottom duct adapter as shown in Photos 2 and 3.



Photo 2. Bottom duct adapter



Photo 3. Bottom duct adapter w/

Before installing the back panel with the drive in the enclosure, remove and discard the rear-most screws (Photo 4) that are located on the top cover of the drive. The holes will be used to fasten the top ductwork with longer screws provided with the kit.



Photo 4. Top of IP00/Chassis drive.

Install the backpanel in the enclosure (Photo 5). Use brackets supplied by the enclosure manufacturer (minimum one per side at the middle of the drive) with appropriate support strip for additional support of the backpanel. For the D4 frame use two supports per side. Consult the enclosure manufacturer manual for additional support requirements if additional components are mounted on the same back panel.



Photo 5. Drive installed in cabinet—D4 Frame.

The top duct work cover is composed of the following pieces as shown in Photo 6.

From left to right:

- top duct closing plate
- drive bracket
- duct
- vented top cover

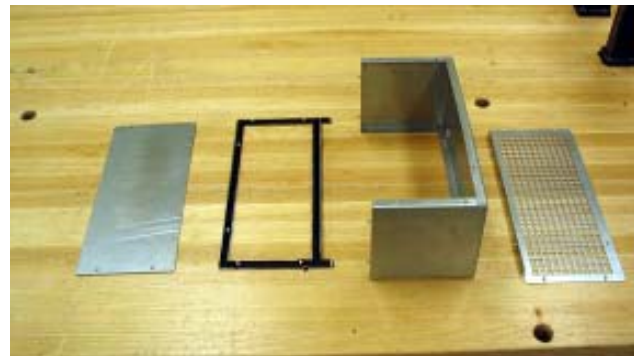


Photo 6. Top duct assembly.

Install the drive bracket onto the duct.



Photo 7. The top duct work partially assembled with bottom flange.

Temporarily install the top duct section as shown in Photo 8. Use the top duct cover piece to mark the enclosure top for the opening. Alternately, Drawing 175R5639 can be used to mark the enclosure for cut-



Photo 8. Top duct work and enclosure top installed.

Cut the enclosure top. Do not apply gasket to enclosure top (the gasket is part of the duct work).



Photo 9. Enclosure top with cutout.

Assemble the top duct as shown in Photos 10, 11 and 12. Gasket is applied to several surfaces as shown (refer to drawing 175R5631 Sheet 2, exploded view of components). The top duct closing plate is left off for the installation of the duct work on the drive.

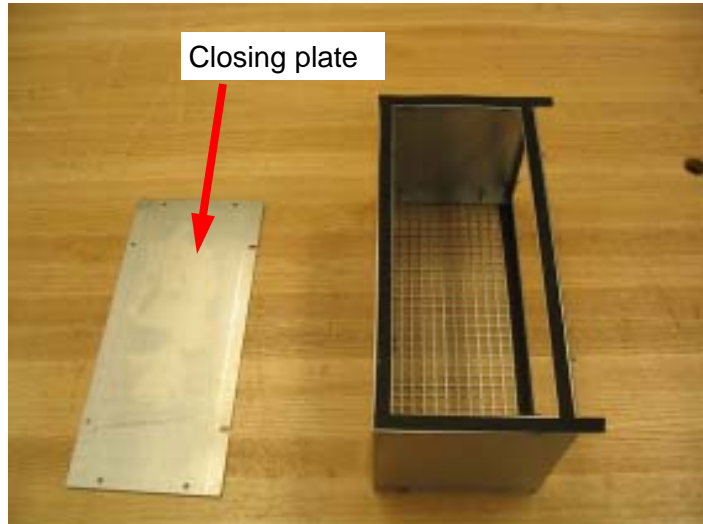


Photo 10. Top duct assembled with gasket.

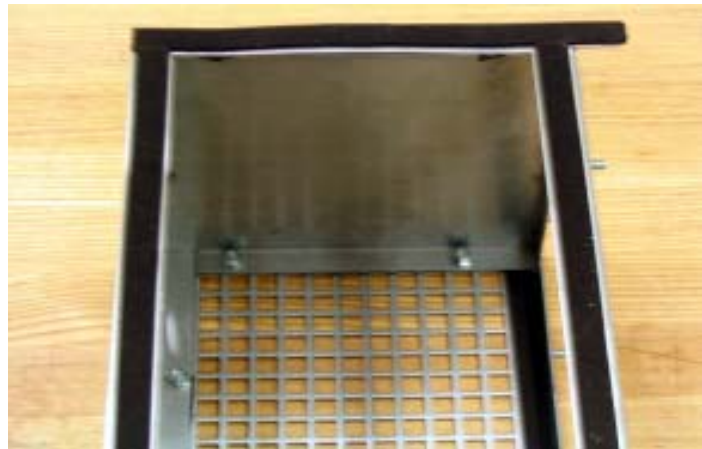


Photo 11. Gasket applied to both sides drive bracket and grated cover.

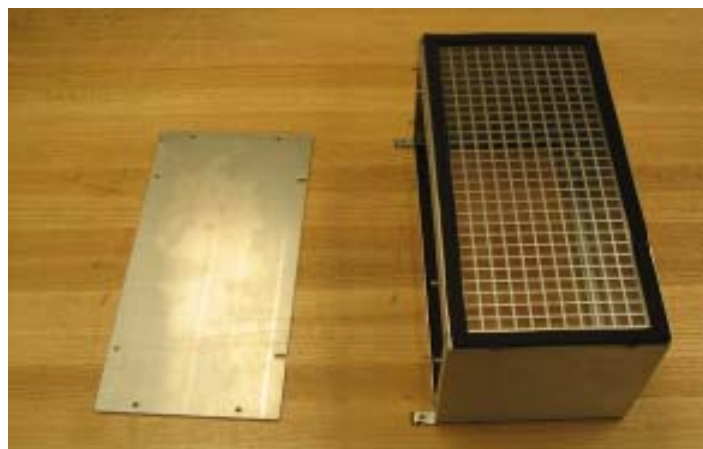


Photo 12. Top duct ready to be installed on drive.

The top duct work is attached to the drive using existing holes on the top cover of the drive. Use the 5 longer screws (supplied with kit) to install the top duct work. The duct work will fit over the drive mounting bolts.

Once the duct work is attached to the drive, the duct closing plate can be attached. The top duct work assembly is complete.



Photo 13. Gasket folds over the edge to form seal between the duct and top vented cover.



Photo 14. Top duct installed.

Install top duct-cover assembly using the longer T25 screws provided with the kit in the drive top cover holes. Reference Photos 15.



Photo 15. Top duct installed.

Apply the gasket to the top duct closing plate. Reference Photo 16.



Photo 16. Top duct closing plate with gasket.

Install the duct closing plate. Reference Photo 17.

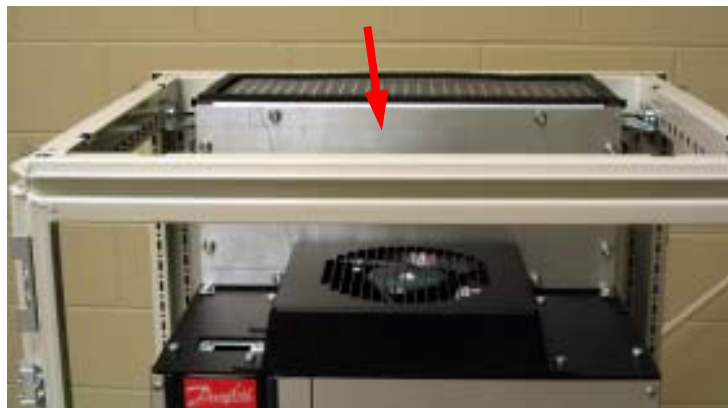


Photo 17. Top duct closing plate installed.

Install the top of the enclosure. Reference Photos 18 and 19.

Top duct installation is complete.



Photo 18. Enclosure top installed.



Photo 19. Top view of enclosure.

4

3

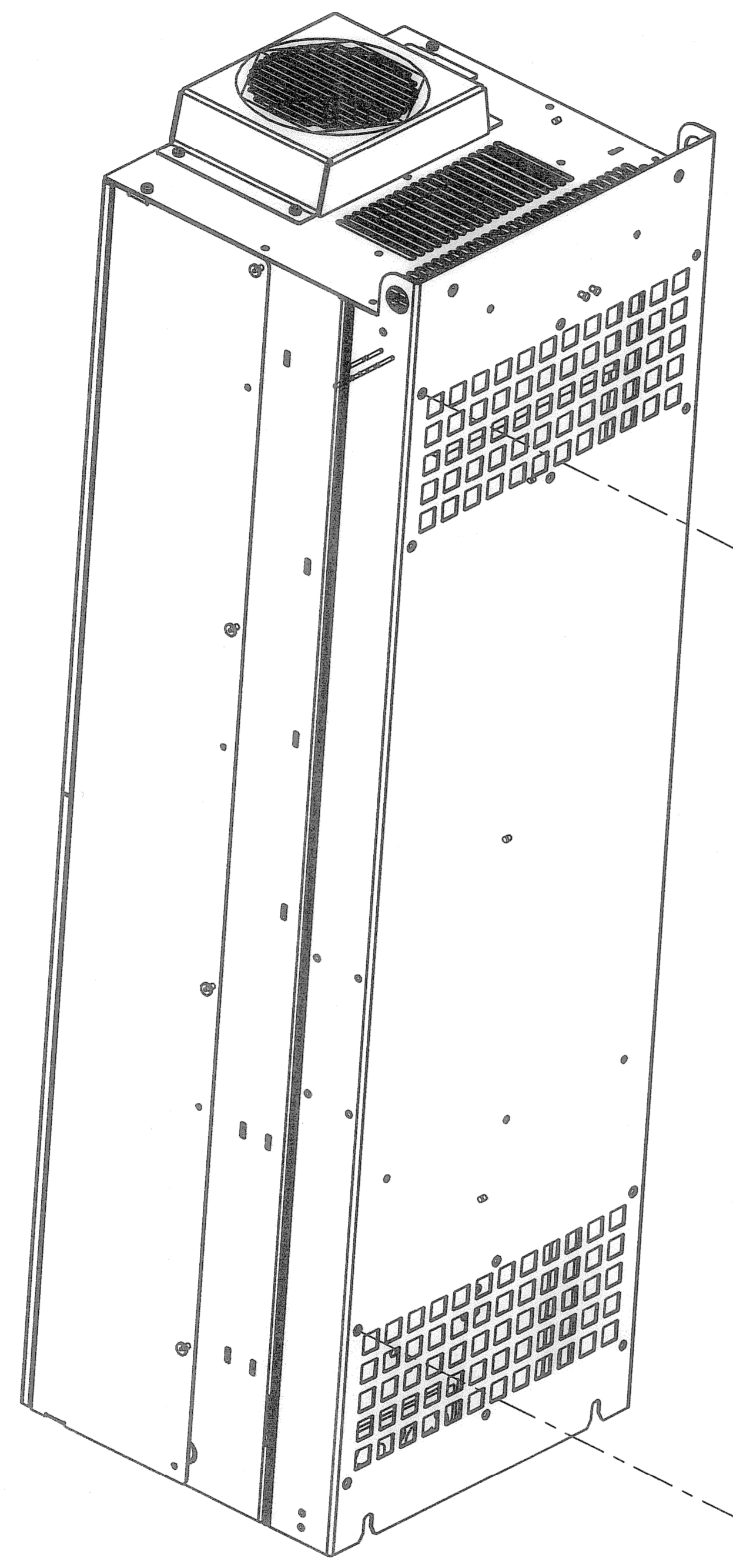
2

D

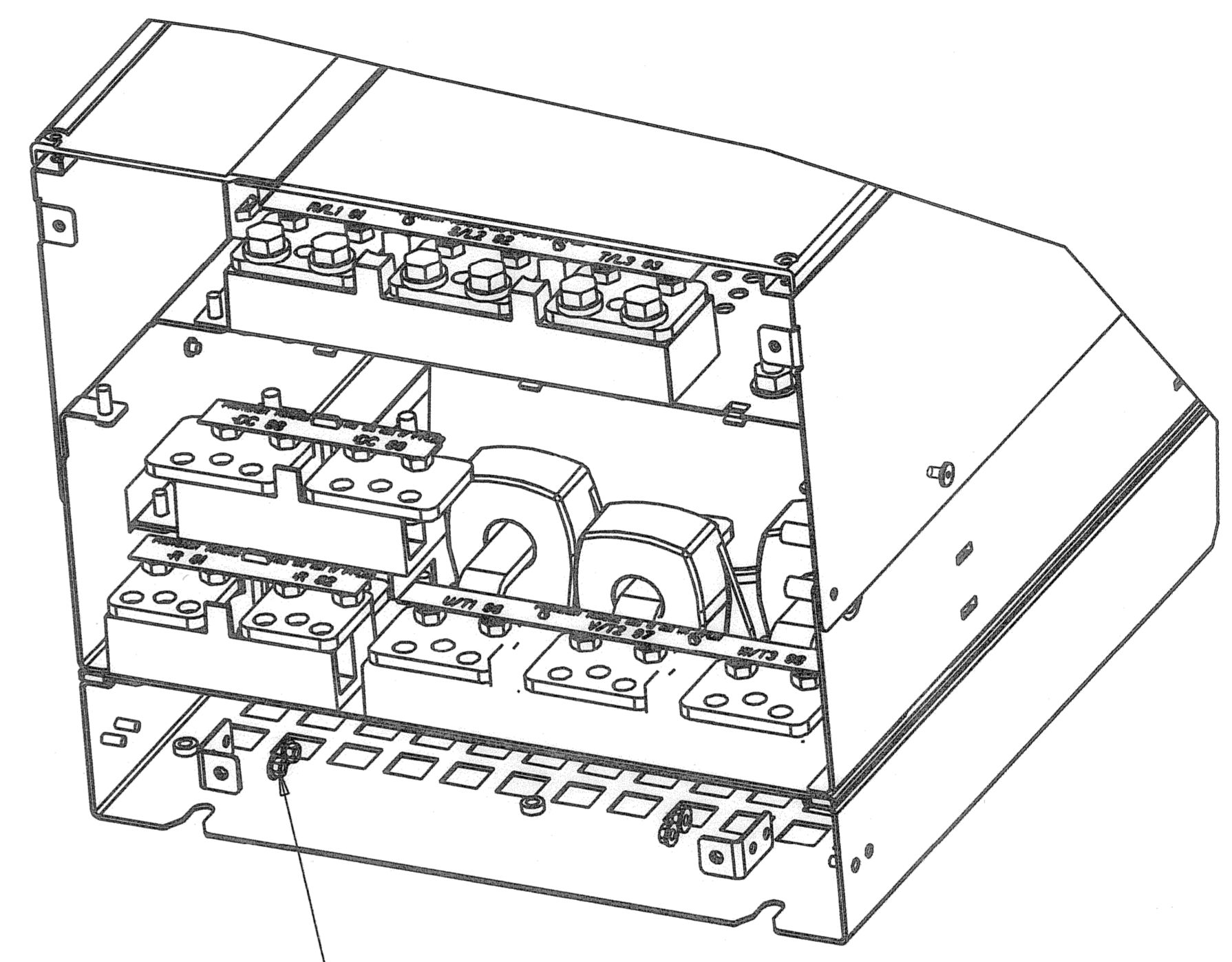
C

B

A



GASKET TO COVER VENT GRIDS
ON THE BACK OF THE DRIVE



4X M5 NUTS

<p>- NOTICE -</p> <p>THIS DOCUMENT CONTAINS PROPRIETARY INFORMATION OF DANFOSS DRIVES. IT IS LOANED BY DANFOSS DRIVES SUBJECT TO THE CONDITIONS THAT IT AND THE INFORMATION EMBODIED THEREIN SHALL BE USED ONLY FOR RECORD AND REFERENCE PURPOSES, SHALL NOT BE USED OR CAUSED TO BE USED IN ANY WAY PREJUDICIAL TO THE INTERESTS OF DANFOSS DRIVES, SHALL NOT BE REPRODUCED OR COPIED IN WHOLE OR IN PART OR DISCLOSED TO ANYONE WITHOUT THE DIRECT WRITTEN PERMISSION OF DANFOSS DRIVES, AND SHALL BE RETURNED UPON REQUEST.</p>		<p>PRO-E ENTRY BY/DATE: MM 9/20/04</p> <p>DESIGNED BY/DATE: MM 9/20/04</p> <p>APPROVAL: <i>[Signature]</i></p>	<p>CHECKED BY/DATE: <i>[Signature]</i></p> <p>MFG. APPROVAL BY/DATE:</p> <p>ENG. APPROVAL BY/DATE: <i>[Signature]</i></p>	<p>Danfoss DANFOSS DRIVES</p> <p>4491 N. BELL SCHOOL RD. LIVER PARK, ILLINOIS 61111 USA</p> <p>18151 639-3600 FAX 18151 639-0000</p>
<p>LATEST E.C.N. NO.: HP08010</p>	<p>E.C.N. PRO-E ENTRY BY/DATE: MN 01/28/08</p>	<p>PLOT SCALE: NONE</p>	<p>PRO-E FILE: 175R5631</p>	<p>TITLE: DWG. REF. COOLING, RITTAL, D3/D4 FRAMES</p> <p>SHEET: OF: 1 3 DRAWING NO.: 175R5631</p> <p>REV.: A</p>

4

3

2

D

C

B

A

4

3

2

1

D

D

C

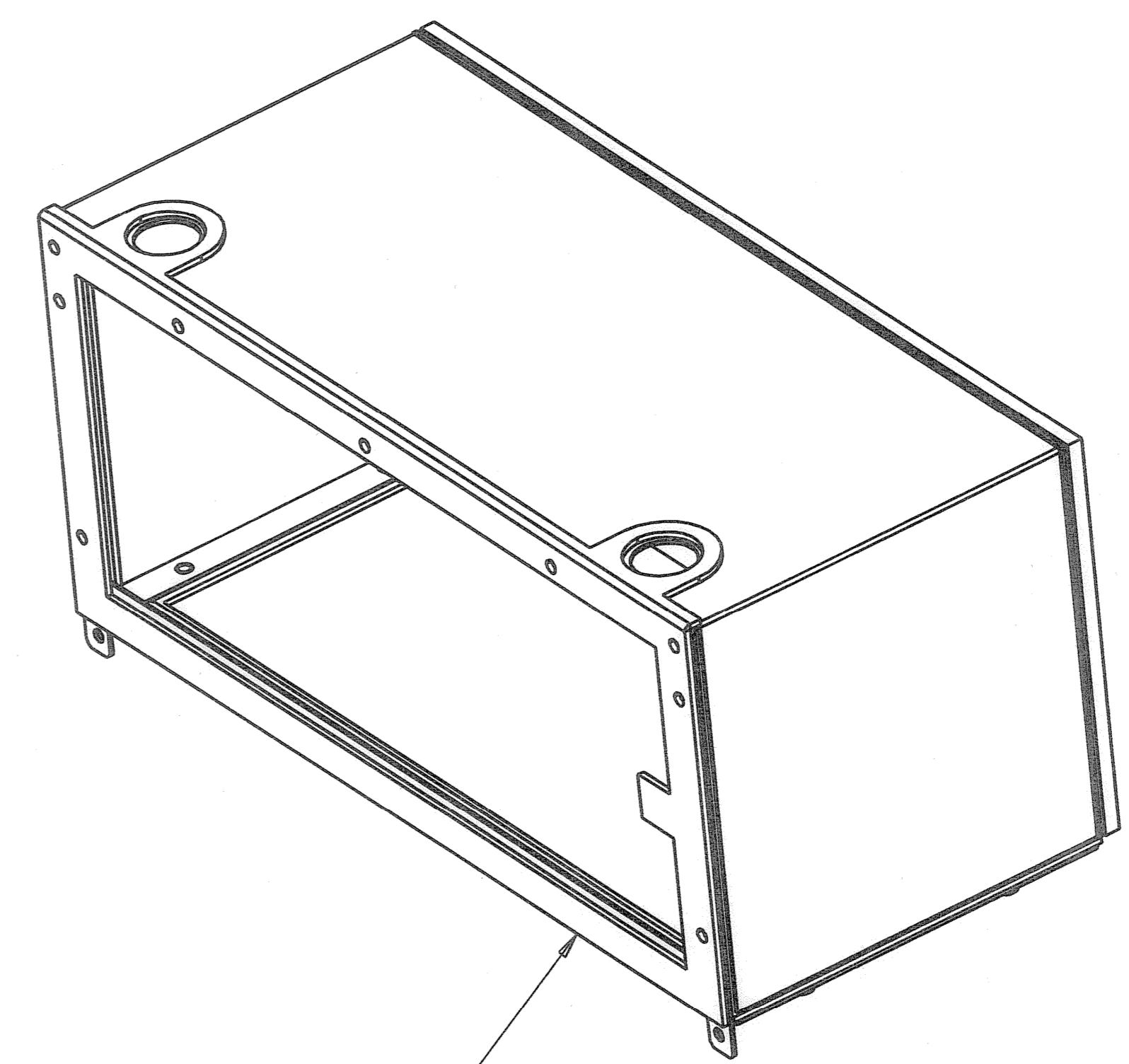
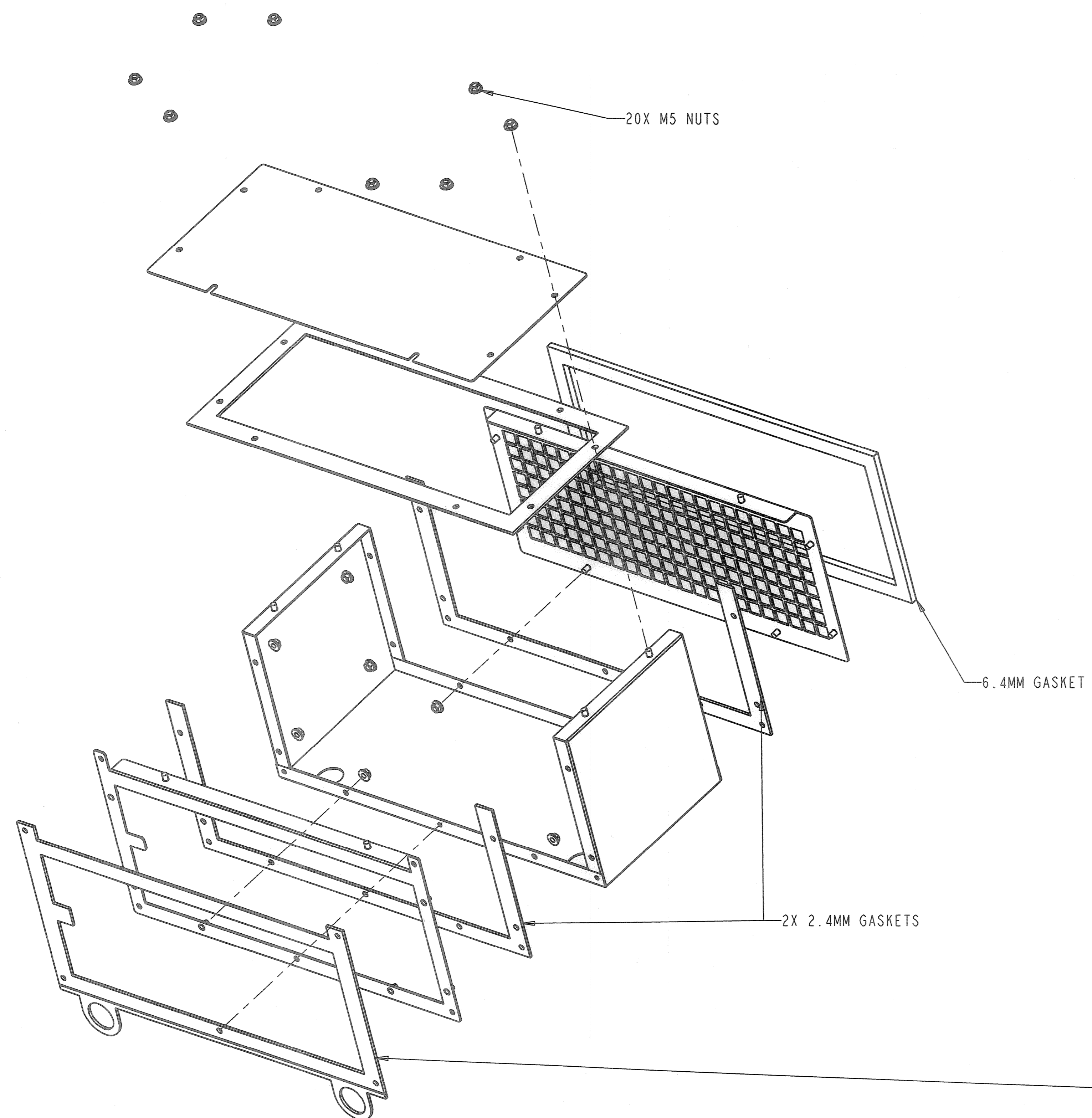
C

B

B

A

A



LATEST E.C.N. NO.: HP08010		E.C.N. PRO-E ENTRY BY/DATE: MN 01/28/08		PLOT SCALE: NONE		PRO-E FILE: 175R5631		SHEET: OF: 2 3		DRAWING NO.: 175R5631		REV.: A	
-------------------------------	--	--	--	---------------------	--	-------------------------	--	---------------------	--	--------------------------	--	------------	--

TITLE:
DWG, REF, COOLING, RITTAL, D3/D4 FRAMES

4

3

2

1

D

D

C

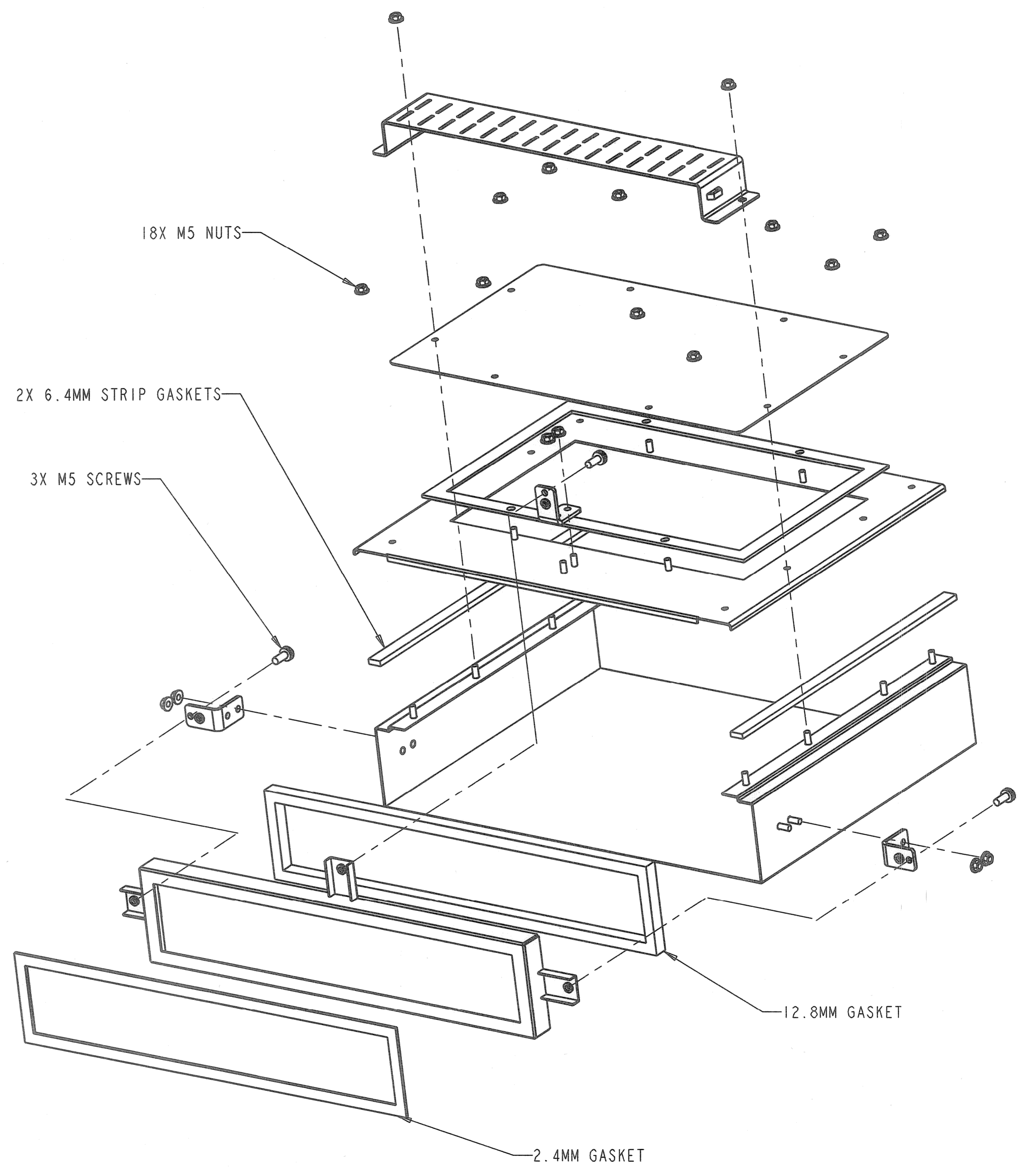
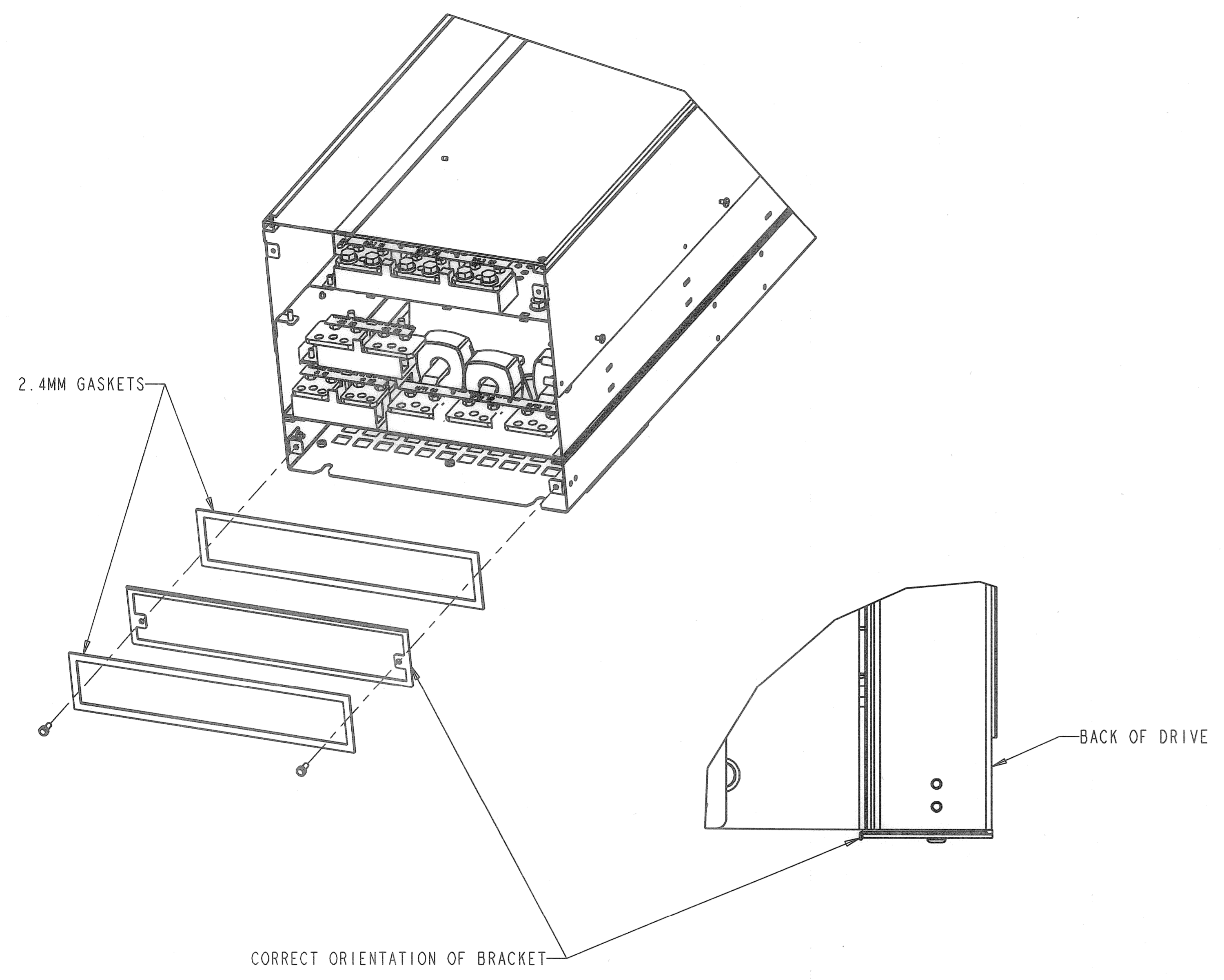
C

B

B

A

A



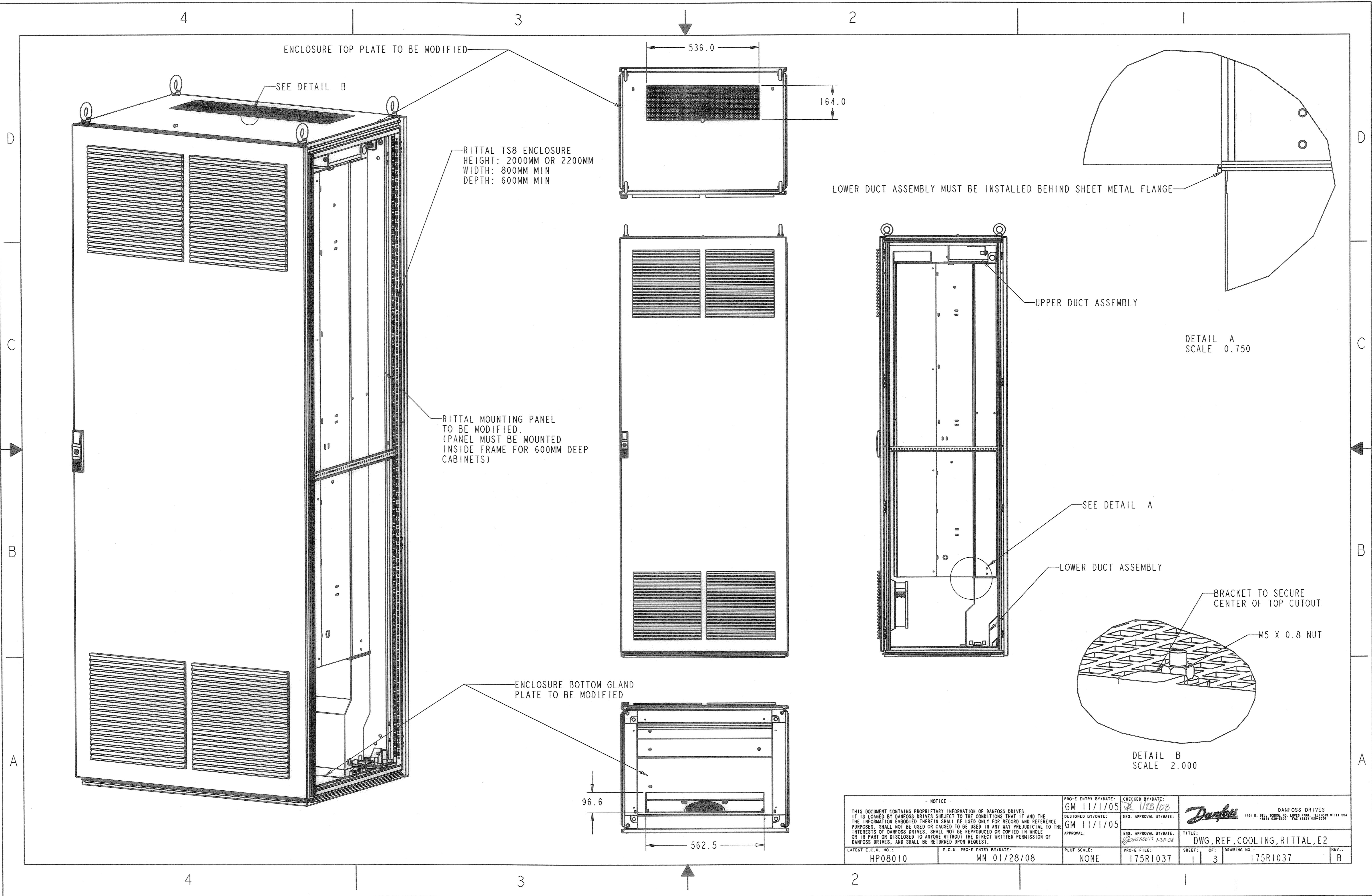
LATEST E.C.N. NO.: HP08010		E.C.N. PRO-E ENTRY BY/DATE: MN 01/28/08		PLOT SCALE: NONE		PRO-E FILE: 175R5631		TITLE: DWG, REF, COOLING, RITTAL, D3/D4 FRAMES	
SHEET: 3		OF: 3		DRAWING NO.: 175R5631		REV.: A			

4

3

2

1



ENCLOSURE TOP PLATE TO BE MODIFIED

SEE DETAIL B

RITTAL TS8 ENCLOSURE
 HEIGHT: 2000MM OR 2200MM
 WIDTH: 800MM MIN
 DEPTH: 600MM MIN

RITTAL MOUNTING PANEL
 TO BE MODIFIED.
 (PANEL MUST BE MOUNTED
 INSIDE FRAME FOR 600MM DEEP
 CABINETS)

ENCLOSURE BOTTOM GLAND
 PLATE TO BE MODIFIED

LOWER DUCT ASSEMBLY MUST BE INSTALLED BEHIND SHEET METAL FLANGE

UPPER DUCT ASSEMBLY

SEE DETAIL A

LOWER DUCT ASSEMBLY

DETAIL A
 SCALE 0.750

BRACKET TO SECURE
 CENTER OF TOP CUTOUT

M5 X 0.8 NUT

DETAIL B
 SCALE 2.000

- NOTICE -

THIS DOCUMENT CONTAINS PROPRIETARY INFORMATION OF DANFOSS DRIVES. IT IS LOANED BY DANFOSS DRIVES SUBJECT TO THE CONDITIONS THAT IT AND THE INFORMATION EMBODIED THEREIN SHALL BE USED ONLY FOR RECORD AND REFERENCE PURPOSES. SHALL NOT BE USED OR CAUSED TO BE USED IN ANY WAY PREJUDICIAL TO THE INTERESTS OF DANFOSS DRIVES. SHALL NOT BE REPRODUCED OR COPIED IN WHOLE OR IN PART OR DISCLOSED TO ANYONE WITHOUT THE DIRECT WRITTEN PERMISSION OF DANFOSS DRIVES, AND SHALL BE RETURNED UPON REQUEST.

PRO-E ENTRY BY/DATE:
 GM 11/1/05
 DESIGNED BY/DATE:
 GM 11/1/05
 APPROVAL:
 E.C.N. NO.: HP08010

CHECKED BY/DATE:
 VEB/08
 MFG. APPROVAL BY/DATE:
 Danfoss
 4887 H. BELL SCHOOL RD. LOVES PARK, ILLINOIS 61111 USA
 1831 528-5600 FAX 1831 528-5605

E.C.N. PRO-E ENTRY BY/DATE:
 MN 01/28/08
 PLOT SCALE:
 NONE

ENG. APPROVAL BY/DATE:
 1/20/08
 PRO-E FILE:
 175R1037

TITLE:
 DWG, REF, COOLING, RITTAL, E2
 SHEET: OF:
 1 3
 DRAWING NO.:
 175R1037
 REV.:
 B

4

3

2

1

D

D

C

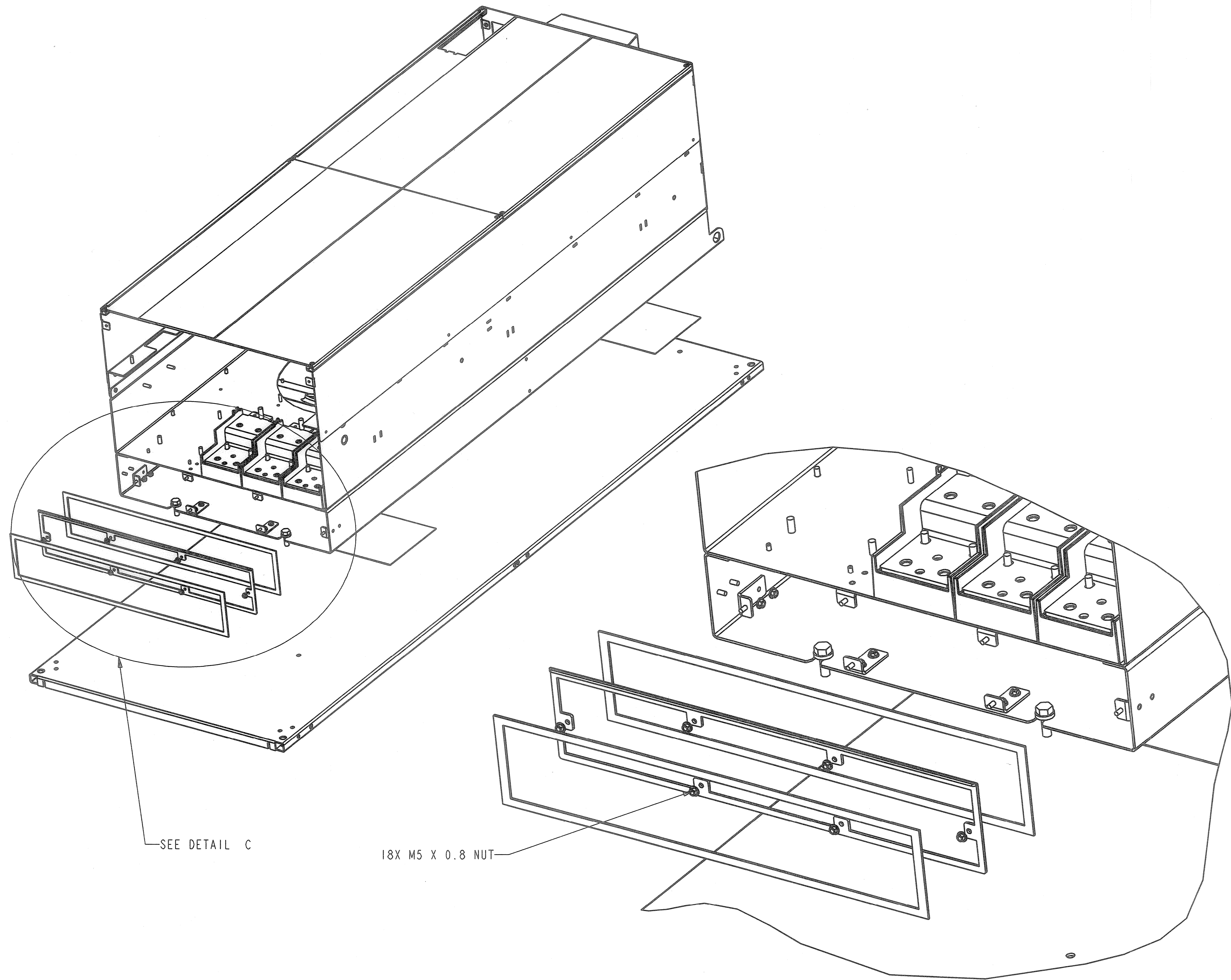
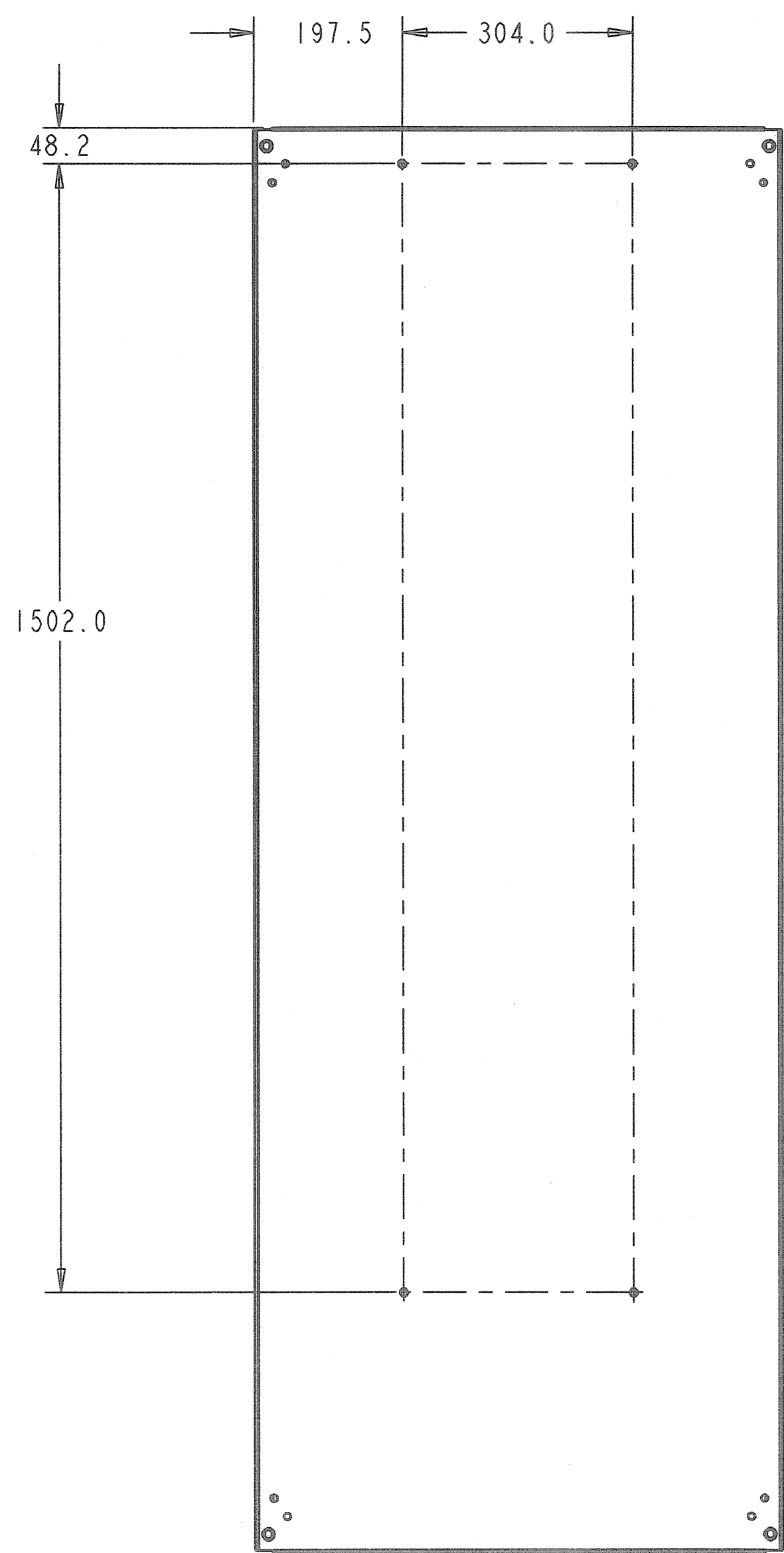
C

B

B

A

A



SEE DETAIL C

18X M5 X 0.8 NUT

DETAIL C
SCALE 0.400

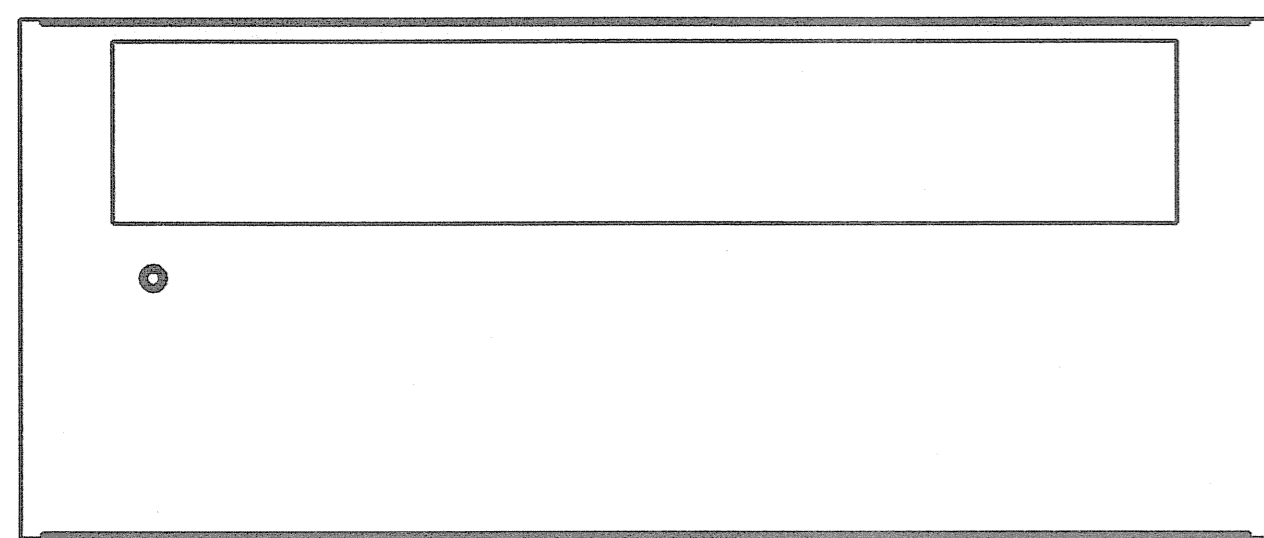
LATEST E.C.N. NO.: HP08010		E.C.N. PRO-E ENTRY BY/DATE: MN 01/28/08		PLOT SCALE: NONE		PRO-E FILE: 175R1037		SHEET: OF: 2 3		DRAWING NO.: 175R1037		REV.: B	
TITLE: DWG, REF, COOLING, RITTAL, E2													

4

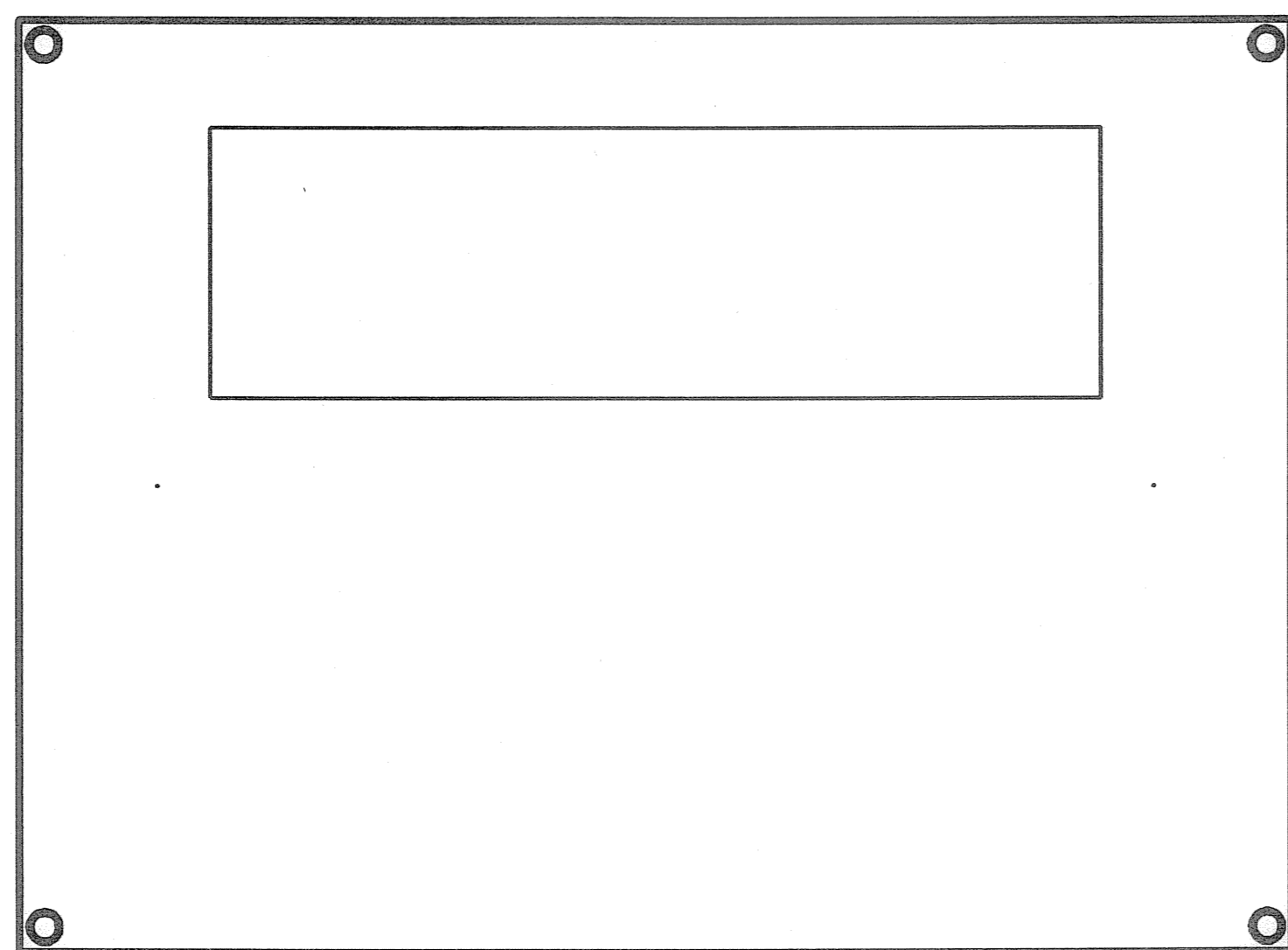
3

2

1



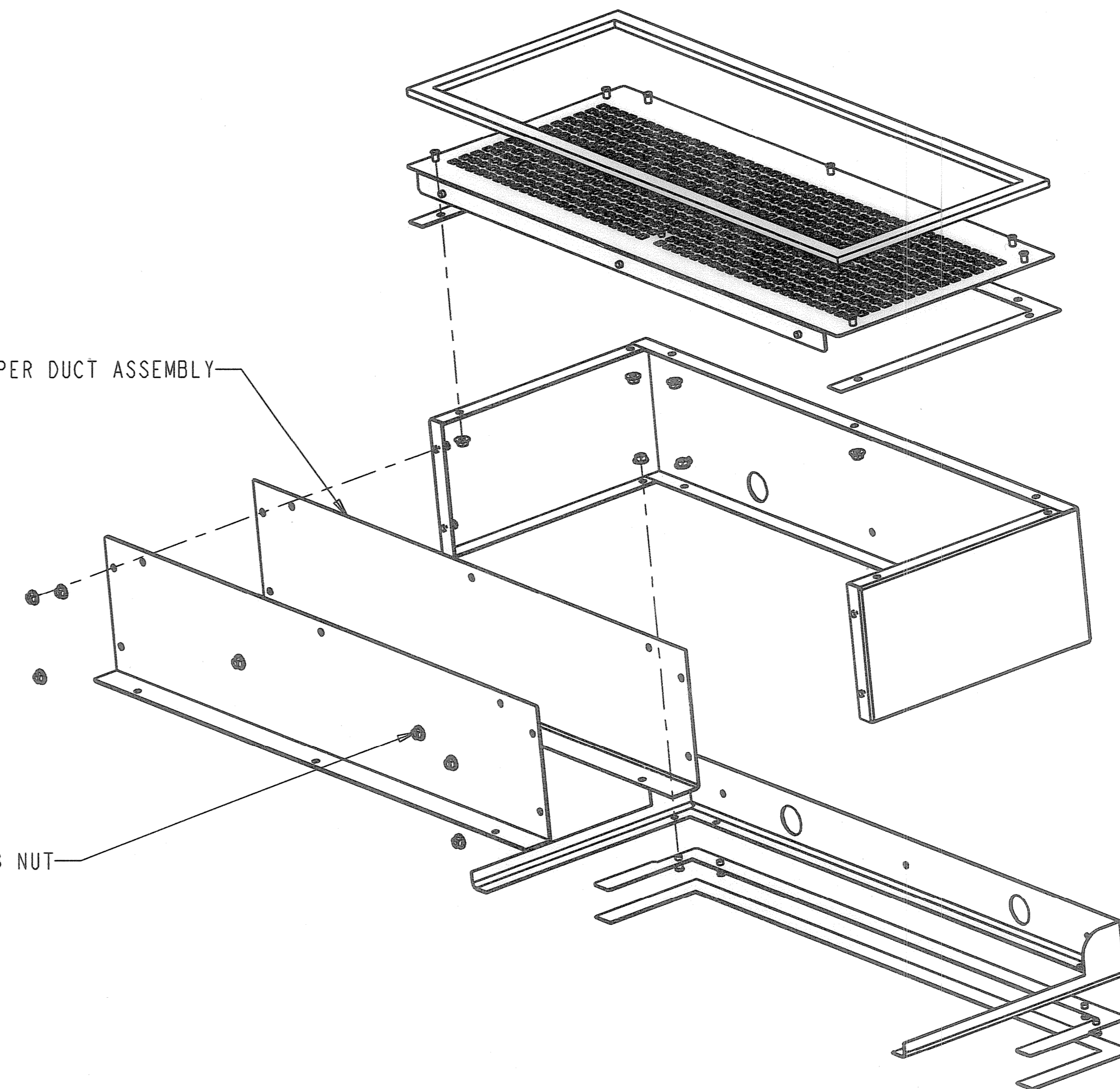
RITTAL BOTTOM PANEL



RITTAL TOP COVER

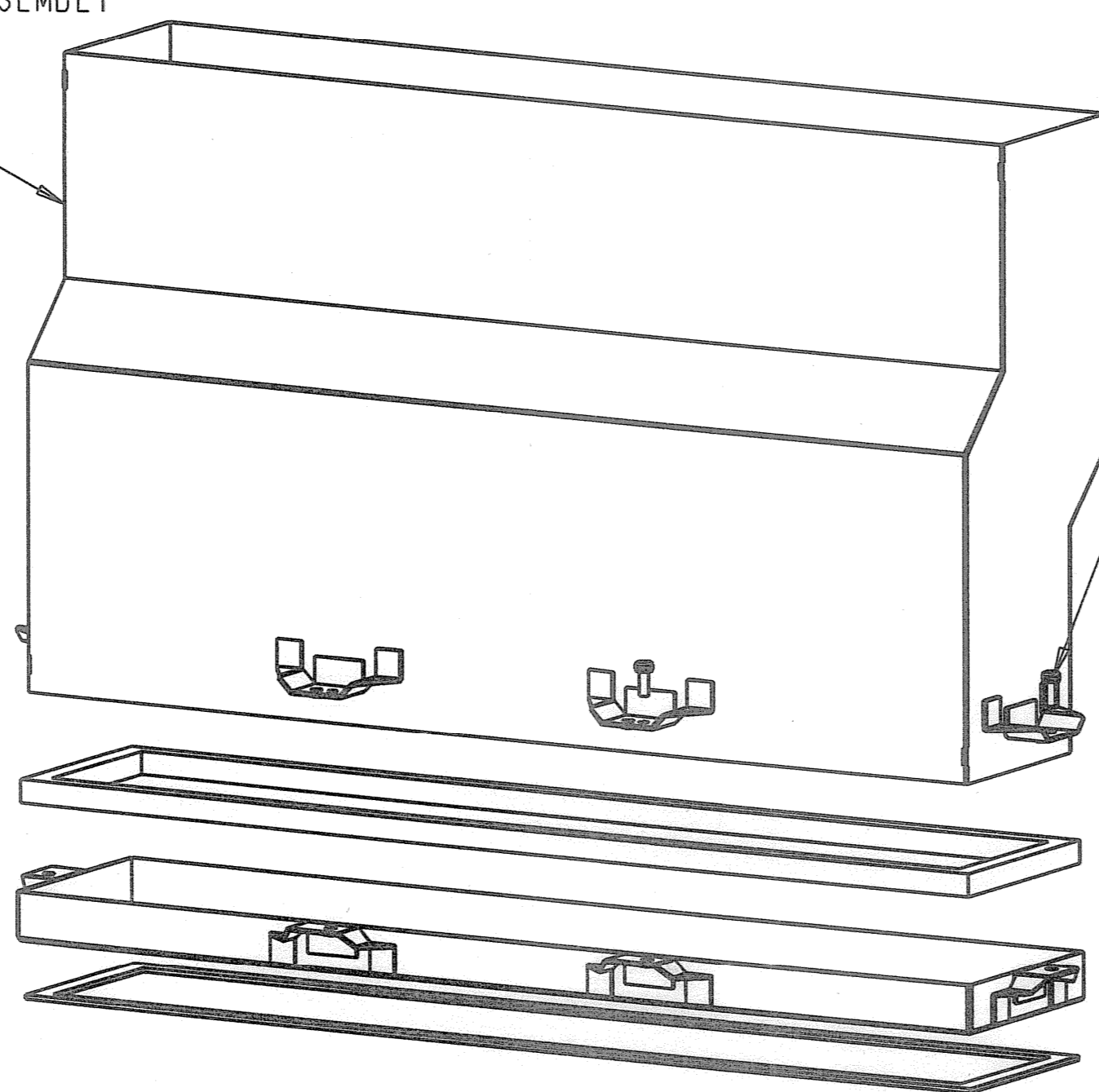
UPPER DUCT ASSEMBLY

18X M5 X 0.8 NUT



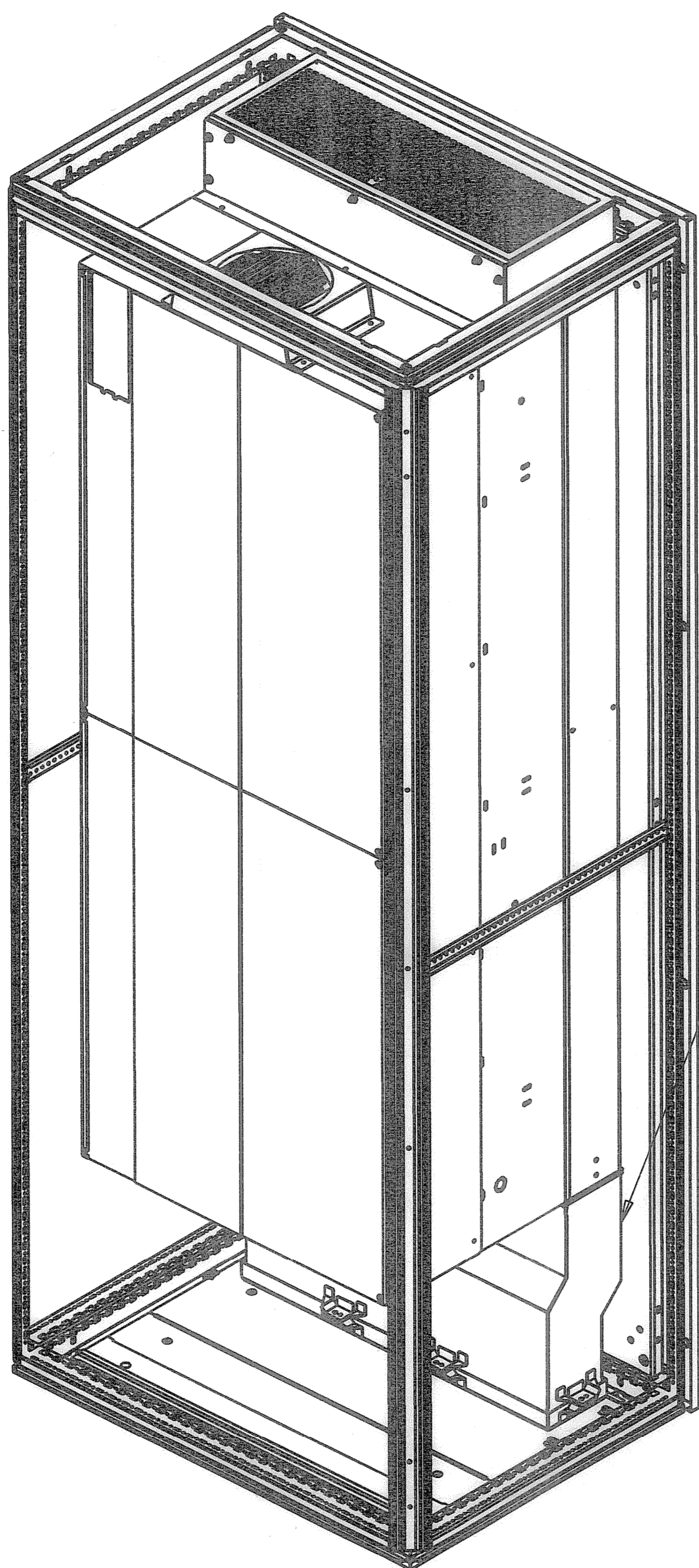
LOWER DUCT ASSEMBLY

4X M5 X 16MM TORX SCREW



DURING INSTALLATION SET SCREW TO BE MOVED TO OUTER POSITION AND TIGHTENED.

TO COMPLETE INSTALLATION OF LOWER DUCT, SET SCREW MOVED TO INNER POSITION AND TIGHTENED.



LATEST E.C.N. NO.:	E.C.N. PRO-E ENTRY BY/DATE:	PLOT SCALE:	PRO-E FILE:	SHEET:	OF:	DRAWING NO.:	REV.:
HP08010	MN 01/28/08	NONE	175R1037	3	3	175R1037	B

TITLE: DWG, REF, COOLING, RITTAL, E2

4

3

2

1